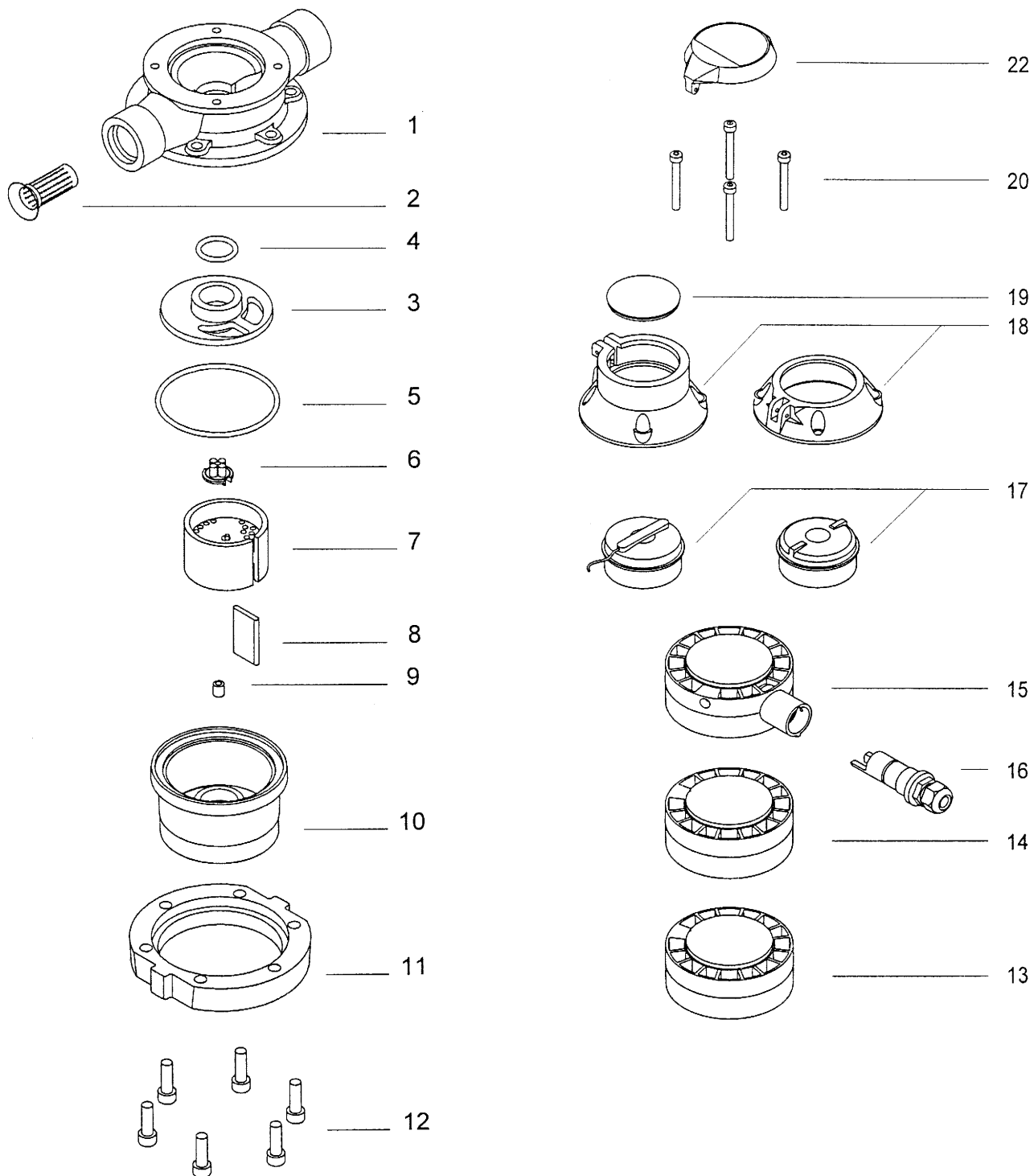


## Flowmeter spare parts

The following list contains all the spare parts available for the Mar-In Controls B.V. MICA(RD) Flowmeters

When ordering spare parts please state both the position number and the model code. The list represents the most recent edition and may deviate from earlier manuals delivered with the Flowmeter. Please be aware that certain item numbers may not be found in earlier versions of the manual and that other may have been removed from the list as a result of changes in design. Where applicable, this list will detail the changes and provide suggestions for replacement parts that are out of production.





When selecting spare parts for the flowmeter, please observe the following points:

The spare parts are tied to the specific Flowmeter type of the MICVA(RD). This specific type number can be found on a sticker of the body of the Flowmeter.

This number is always in the following format: ARDxx /yyyy-zt

- The xx in the number is the DN size and can range from 15 to 50.
- The yyyy are specific numerals referring to the materials used in the flowmeter, the temperature at which it can operate and the flange type.
- The z is a letter and the t a number.

It is very important that this number is stated when ordering spare parts or a replacement flowmeter as guaranteeing correct operation is impossible without this number. If the number is unknown or if the sticker is worn off, please contact Mar-In Controls B.V. Please state the Mar-In Controls reference number of the original delivery (usually in the format 12.(yy)yy.(x)xxx.nnn ) when requesting assistance.

Please note: the sticker on the top of the Flowmeter only provides information on that particular part. Please state this information (including the 5 digit number) when ordering a replacement for the top part.

MICARD				Flow sensors				
Pos	Description	Qty	DN 15	DN 20	DN 25	DN 40	DN 50	
1	Housing (as MICV&VA)	1	On request					
2	Inlet filter (as MICV&VA)	1	12968	19021	12969	12970	12971	
3	Cover measuring chamber (as MICV&VA)							
	for A ../xxx1, A ../xxx2, A ../xxx3	Brass	1	12856	19008	12861	12859	---
	for A ../xxx1, A ../xxx2, A ../xxx3	Bronze	1					12860
	for A ../xxx4, A ../xxx5	St. St.	1	12857	19389	12862	12864	12866
4,5	Gasket							
4	for A ../xxxx-x2 (as MICV&VA)	FPM	1	13002	13002	12985	12985	12985
5	for A ../xxxx-x2 (as MICV&VA)	FPM	1	13003	19020	16028	12994	13004
4	for A ../xxxx-x6	PTFE	1	13017	13017	13018	13018	13018
5	for A ../xxxx-x6	PTFE	1	13019	19435	13020	13021	13022
	Special trims							
4	for A ../xxxx-x3	EDPM	1	13011	--	13012	13012	13012
5	for A ../xxxx-x3	EDPM	1	13013	--	13014	13015	13016
4	for A ../xxxx-x7	FEP	1	13040	13040	13041	13041	13041
5	for A ../xxxx-x7	FEP	1	13042	13046	13043	13044	13045
6	Driver (as MICV&VA)							
	for A ../xxx1, A ../xxx4, A ../xxx8 PPA max. 130°C		1	19154	19155	19156	19157	19383
	for A ../xxx2, A ../xxx3, A ../xxx5 PTFE max. 180°C		1	19095	19045	13160	13161	13162
7	Rotary piston							
	for A ../xxxx-A (as MICV&VA) Anti-corrode (Al)		1	12790	19022	12881	12882	12883
	for A ../xxxx-H	Ebonite	1	19062	12806	19078	19079	--
	for A ../xxxx-G	Graphite	1	12792	12805	12795	12798	12801
	for A ../xxxx-S	Stainless steel	1	12793	19385	12796	12799	12802
	for A ../xxxx-P	Synthetic material PTFE	1	12884	19386	12885	12886	12887
8	Separating plate							
	for A ../xxx1, A ../xxx8 (as MICV&VA)	Synthetic material PPS max. 130°C	1	13024	19848	12963	12965	12967
	for A ../xxx2, A ../xxx3 (as MICV&VA)	Stainless steel St. St. max. 180°C	1	13025	19390	13026	13027	13028
	for A ../xxx4 (as MICV&VA)	Synthetic material PPS	1	13024	19848	12963	12965	12967
	for A ../xxx5 (as MICV&VA)	St. St.	1	13025	19390	13026	13027	13028
9	Guide roller							
	for A ../xxx1	PPS max. 130°C	1	12972	19850	12973	12974	12975
	for A ../xxx2, A ../xxx5	St. St. max. 180°C	1	13146	19391	13147	13148	13149
	for A ../xxx3	St. St. max. 180°C	1	19163	19763	19164	19165	19166
	for A ../xxx4	PPS max. 130°C	1	12972	19850	12973	12974	12975
	for A ../xxx8	PPS max. 130°C	1	19167	19851	19168	19169	19170
10	Measuring chamber							
	for A ../xxx1, A ../xxx2, A ../xxx3, A ../xxx8							
		Brass	1	12841	--	12851	19551	--
		Brass PN 16 1)	1	--	19007	--	--	--
		Brass PN 25 2)	1	--	19032	--	--	--
		Bronze	1	--	--	--	--	19506
	for A ../xxx4, A ../xxx5	St. St. PN 40	1	12842	19387	12844	19550	19507
	1) A 20/111x 2) A 20/122x							
	If a measuring chamber in DN 40 or 50, consisting of one part, has to be replaced by a new one (consisting of two parts), pos. 11 and 12 (flange and screws) are needed additionally. See remark on page x.							
11	Flange of measuring chamber							
		PN 16	1	12874	--	--	--	--
		PN 25 / 40	1	12877	--	--	--	--
		PN 16...40	1	12874	--	12978	19547	19508
12	Screw							
		M 6 x 16 (PN 16)	4	12958				
		M 6 x 16 (PN 25)	6	12958				
	1) only ARD 20/111x	M 6 x 12 (PN 16) 1)	4		19035 <sup>1)</sup>			
		M 6 x 16 (PN 25)	6		12958			
		M 8 x 25	6			13101		
		M12 x 40	8				19548	
		M16 x 50	10					19549

MICARD		RW..., RV..., IR..., IN..., IP..., GTAS			Modules		
Pos	Description	Qty	DN 15	DN 20	DN 25	DN 40	DN 50
13	Adjustment gear, (litres)	1	12889	12944	12942	12943	12888
14	Isolating piece (pos. 20 and 21 included)	1	13172	13172	13172	13172	13172
15	Pulse module without detector	1	13261	13261	13261	13261	13261 13260
	IN 0,01 l	1	13260	13260			
	IN 0,1 l	1			13260	13260	
	IN 1 l	1					
16	Plug-in detector IN, INA	1	13240	13240	13240	13240	13240
	Option with cable fixed, additionally	1	80019	80019	80019	80019	80019
	or Plug-in detector IR	1	13239	13239	13239	13239	13239
	or Plug-in detector IP	1	13199	13199	13199	13199	13199
	IR, IN, INA: Included in plastic bag:						
Contact pin and Plug body	4	5560	5560	5560	5560	5560	
17	Roller counter RW, litres	1	12870	19028	12871	12871	12873
	or Roller counter, RV						
	0.1	1	13062				
	1 l	1	13063	19030	13064	13064	
	10 l	1		19031	13065	13065	13066
18	Head ring RW	1	12903	12903	12903	12903	12903
	or Head ring RV, without sight glass	1	13070	13070	13070	13070	13070
19	Sight glass	1	13558	13558	13558	13558	13558
20	Screws for:						
	RW, RV, INA	M 6 x 55	4	12959	12959	12959	12959
	IR.../RW, IN... /RW, IP... /RW	M 6 x 93	4	13167	13167	13167	13167
	IR.../RV, IN... /RV	M 6 x 93	4	13167	13167	13167	13167
	INA.../RW, INA.../RV	M 6 x 123	4	13195	13195	13195	13195
<u>only for versions 180°C: IRH..., INH..., INAH...</u>							
21	Extension	4	13166	13166	13166	13166	13166
22	Cover	1	13423	13423	13423	13423	13423

## Disclaimer

The information in this document is intended, but not guaranteed, to be correct, complete and up-to-date. The information is provided without any warranty, either express or implied as to quality, accuracy or fitness for a particular purpose.

Mar-In Controls B.V. cannot be held liable for any direct, indirect or consequential loss arising from the use of (or the inability to use) this document or information contained in it or from any action or decision taken as a result thereof.