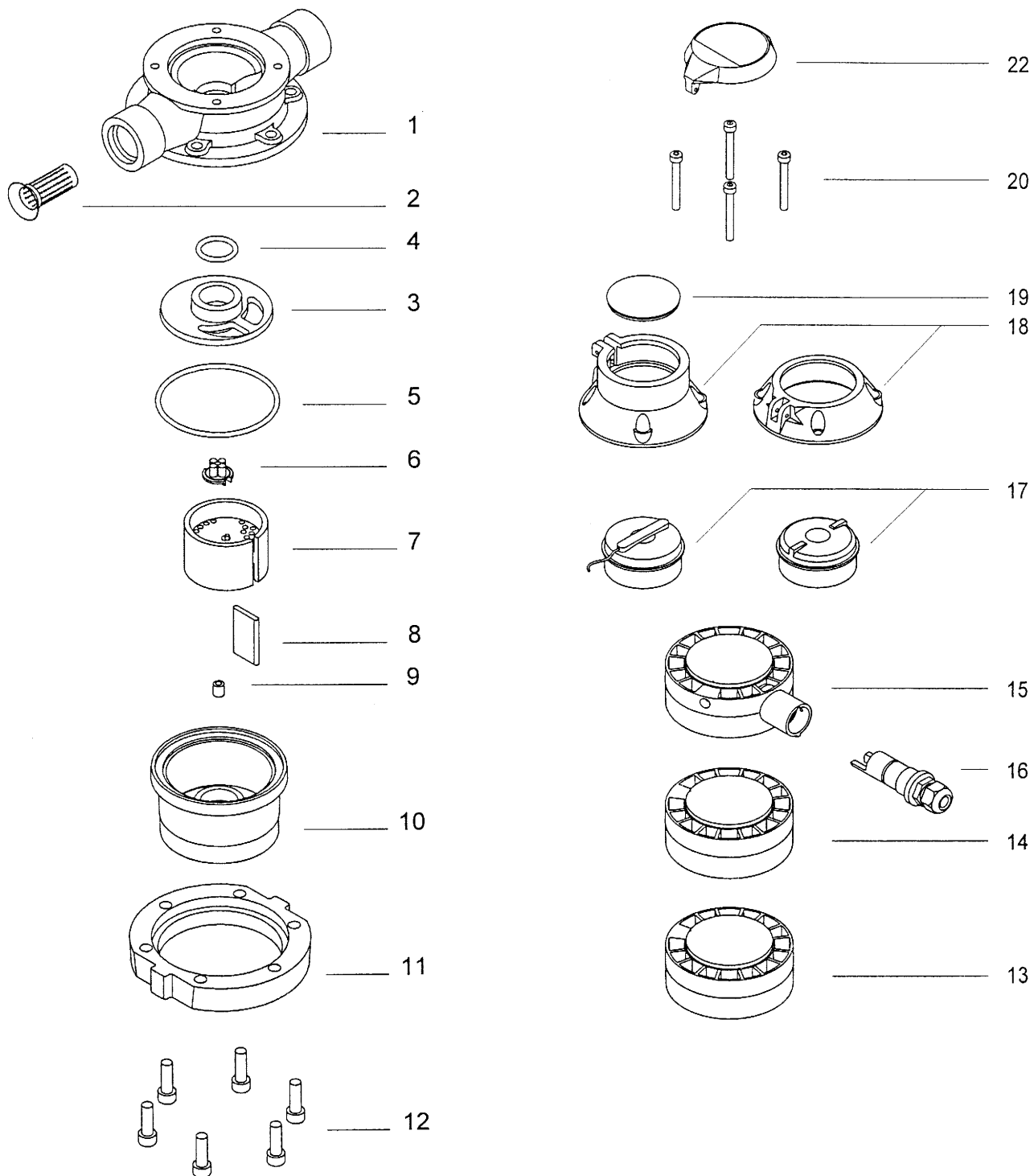


Flowmeter spare parts

The following list contains all the spare parts available for the Mar-In Controls B.V. MICV and MICVA Flowmeters

When ordering spare parts please state both the position number and the model code. The list represents the most recent edition and may deviate from earlier manuals delivered with the Flowmeter. Please be aware that certain item numbers may not be found in earlier versions of the manual and that other may have been removed from the list as a result of changes in design. Where applicable, this list will detail the changes and provide suggestions for replacement parts that are out of production.





When selecting spare parts for the flowmeter, please observe the following points:

- Both the MICV and MICVA flowmeters are delivered in 130°C and 180°C versions. The 180°C version of both Flowmeters differs from the 130°C, apart from the differences in materials, in the fact that it has an additional piece (item 14, Isolating piece). Please note that items designed for the 130°C will have a dramatically shorter lifespan when used in the 180°C version. It is therefore important that the right parts are ordered.
- The difference between the MIC and MICVA flowmeters is the higher accuracy of the MICVA flowmeter (0,5% versus 1% accuracy). As a result, for certain items two versions, 1 for the MICV and 1 for the MICVA are available.

MICV MICVA Flow sensors									
Pos	Description			Qty	DN 15	DN 20	DN 25	DN 40	DN 50
1	Housing			1	On request				
2	Inlet filter			1	12968	19021	12969	12970	12971
3	Cover measuring chamber	PPA	PN 16,25	1	12856	19008	12861	12859	12860
			PN 40	1	12857	19389	12862	12864	12866
4,5	Gasket			1	13002	13002	12985	12985	12985
				1	13003	19020	16028	12994	13004
6	Driver	PPA	max. 130°C	1	19154	19155	19156	19157	19383
			PTFE	max. 180°C	1	19095	19045	13160	13161
7	Rotary piston	Aluminium		1	12790	19022	12881	12882	12883
8	Separating plate	PPS	max. 130°C	1	13024	19848	12963	12965	12967
			St. St.	max. 180°C	1	13025	19390	13026	13027
9	Guide roller MIC/V + / - 1%	PPS	max. 130°C	1	19167	19851	19168	19169	19170
			St. St.	max. 180°C	1	19163	19763	19164	19165
	Guide roller MIC/VA + / - 0,5 %	PPS	max. 130°C	1	12972	19850	12973	12974	12975
			St. St.	max. 180°C	1	13146	19391	13147	13148
10	Measuring chamber	Brass	PN 16	1	--	19007	--	--	--
			PN 25	1	12841	19032	12851	19551	19506
			St. St.	PN 40	1	12842	19387	12844	19550
11	Flange of measuring chamber		PN 16	1	12874				
			PN 25/40		12877				
			PN 16...40	1	--	--	12978	19547	19508
12	Screw		M 6 x 16	4	12958				
			M 6 x 16	6	12958				
			M 6 x 12	4		19035			
			M 6 x 16	6		12958			
			M 8 x 25	6			13101		
			M12 x 40	8				19548	
			M16 x 50	10					19549

MIC/V max 130 °C		Meter with roller register					
Pos	Description	Qty	DN 15	DN 20	DN 25	DN 40	DN 50
13	Adapting piece	1	13221	13221	13222		
	or Adjustment gear, litres	1				12943	12888
	or Adjustment gear, US Gallons	1				19451	19452
17	Roller counter, litres	1	19216	19219	12221	12871	12873
	or Roller counter, US Gallons	1	19440	19441	19442	19445	19445
18	Head ring RW	1	12903	12903	12903	12903	12903
20	Screw	M 6 x 16	4	12958	12958	12958	
		M 6 x 55	4				12959
22	Cover	1	13423	13423	13423	13423	13423

MIC/V max 130 °C		Meter with pulser RV					
Pos	Description	Qty	DN 15	DN 20	DN 25	DN 40	DN 50
13	Adapting piece	1	13221	13221	13222		
	or Adjustment gear, litres	1				12943	12888
	or Adjustment gear, US Gallons	1				19451	19452
17	Roller counter, litres	RV 0,1 l	1	19217			
		RV 1 l	1	19218	19220	19222	13064
		RV 10 l	1				13065
		RV 100 l	1				
	or Roller counter, US Gallons	RV 10 ppg	1	19446	19447		
		RV 1 ppg RV 0,1 ppg	1 1			19448	19458
18	Head ring RW, without sight glass	1	13070	13070	13070	13070	13070
19	Sight glass	1	13558	13558	13558	13558	13558
20	Screws	M 6 x 16	4	12958	12958	12958	
		M 6 x 55	4				12959
22	Cover	1	13423	13423	13423	13423	13423

MIC/V MIC/VA max 180 °C		Meter with roller register					
Pos	Description	Qty	DN 15	DN 20	DN 25	DN 40	DN 50
13	Adjustment gear, litres	1	12889	12944	12942	12943	12888
17	Roller counter, litres	1	12870	19028	12871	12871	12873
18	Head ring RW	1	12903	12903	12903	12903	12903
20	Screw	M 6 x 55	4	12959	12959	12959	12959
22	Cover		1	13423	13423	13423	13423

MIC/V MIC/VA max 180 °C		Meter with pulser RV					
Pos	Description	Qty	DN 15	DN 20	DN 25	DN 40	DN 50
13	Adjustment gear, litres or Adjustment gear, US Gallons	1 1	12889 19449	12944 19075	12942 19450	12943 19451	12888 19452
17	Roller counter, litres RV 0,1 l RV 1 l RV 10 l RV 100 l or Roller counter, US Gallons RV 10 ppg RV 1 ppg RV 0,1 ppg	1 1 1 1 1 1 1 1	13062 13063	19030 19031	13064 13065	13064 13065	13066 13067 19458 19458
18	Head ring RW, without sight glass	1	13070	13070	13070	13070	13070
19	Sight glass	1	13558	13558	13558	13558	13558
20	Screws M 6 x 55	4	12958	12958	12958	12959	12959
22	Cover	1	13423	13423	13423	13423	13423

MIC/V MIC/VA max 180 °C		Meter with pulser IN					
	Description	Qty	DN 15	DN 20	DN 25	DN 40	DN 50
13	Adjustment gear, litres or Adjustment gear, US Gallons	1 1	12889 19449	12944 19075	12942 19450	12943 19451	12888 19452
14	Isolating piece (pos. 20 and 21 included)	1	13172	13172	13172	13172	13172
15	Pulser module without detector IN 0,01 l IN 0,1 l IN 1 l or Pulser IN IN 1000 ppg IN 100 ppg IN 10 ppg	1 1 1 1 1 1 1	13261 13261	13261 13261	13261 13261	13261 13261	13261 13261
16	Plug-in detector IN Included in plastic bag: Contact pin Plug body	1 4 1	13240 5560 13243	13240 5560 13243	13240 5560 13243	13240 5560 13243	13240 5560 13243
17	Roller counter, litres or Roller counter, US Gallons	1 1	12870 19443	19028 19444	12871 19444	12871 19445	12873 19445
18	Head ring RW	1	12903	12903	12903	12903	12903
20	Screws M 6 x 93	4	13167	13167	13167	13167	13167
21	Only for versions 180 °C Extension	4	13166	13166	13166	13166	13166
22	Cover	1	13423	13423	13423	13423	13423

Disclaimer

The information in this document is intended, but not guaranteed, to be correct, complete and up-to-date. The information is provided without any warranty, either express or implied as to quality, accuracy or fitness for a particular purpose.

Mar-In Controls B.V. cannot be held liable for any direct, indirect or consequential loss arising from the use of (or the inability to use) this document or information contained in it or from any action or decision taken as a result thereof.