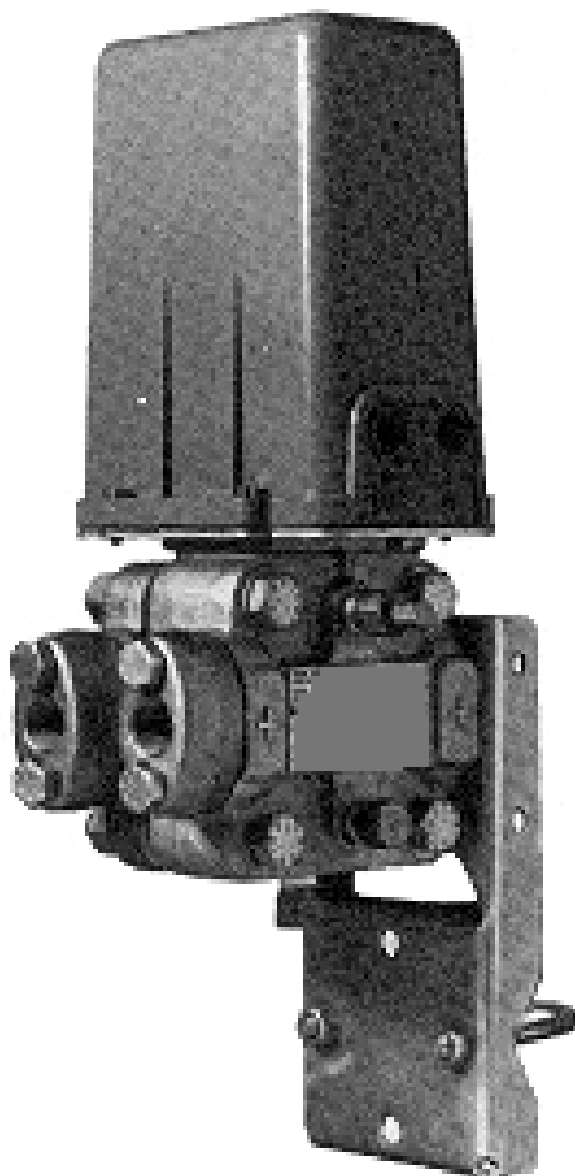


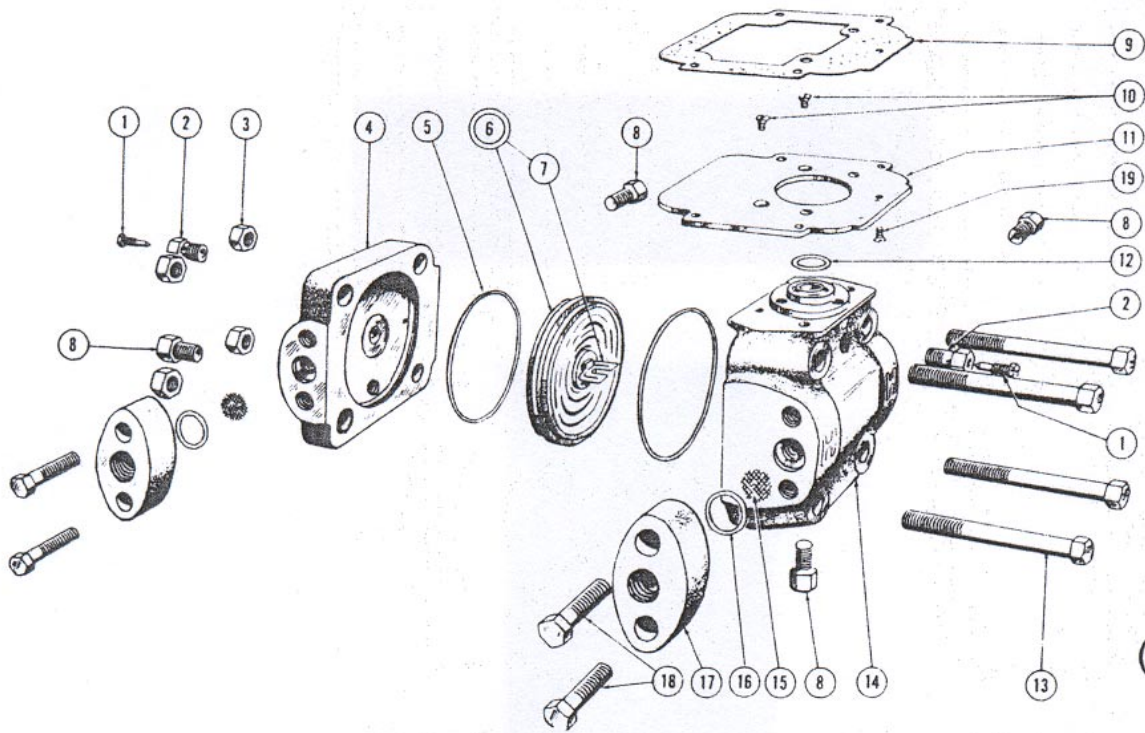
Spares Parts list pneumatic transmitter SG74

The following list contains all the spare parts available for the Mar-In Controls B.V. Pneumatic transmitter SG74

When ordering spare parts please state both the position number and the model code. The list represents the most recent edition and may deviate from earlier manuals delivered with the Viscotrol.



# Spares part list



(Fig.34)

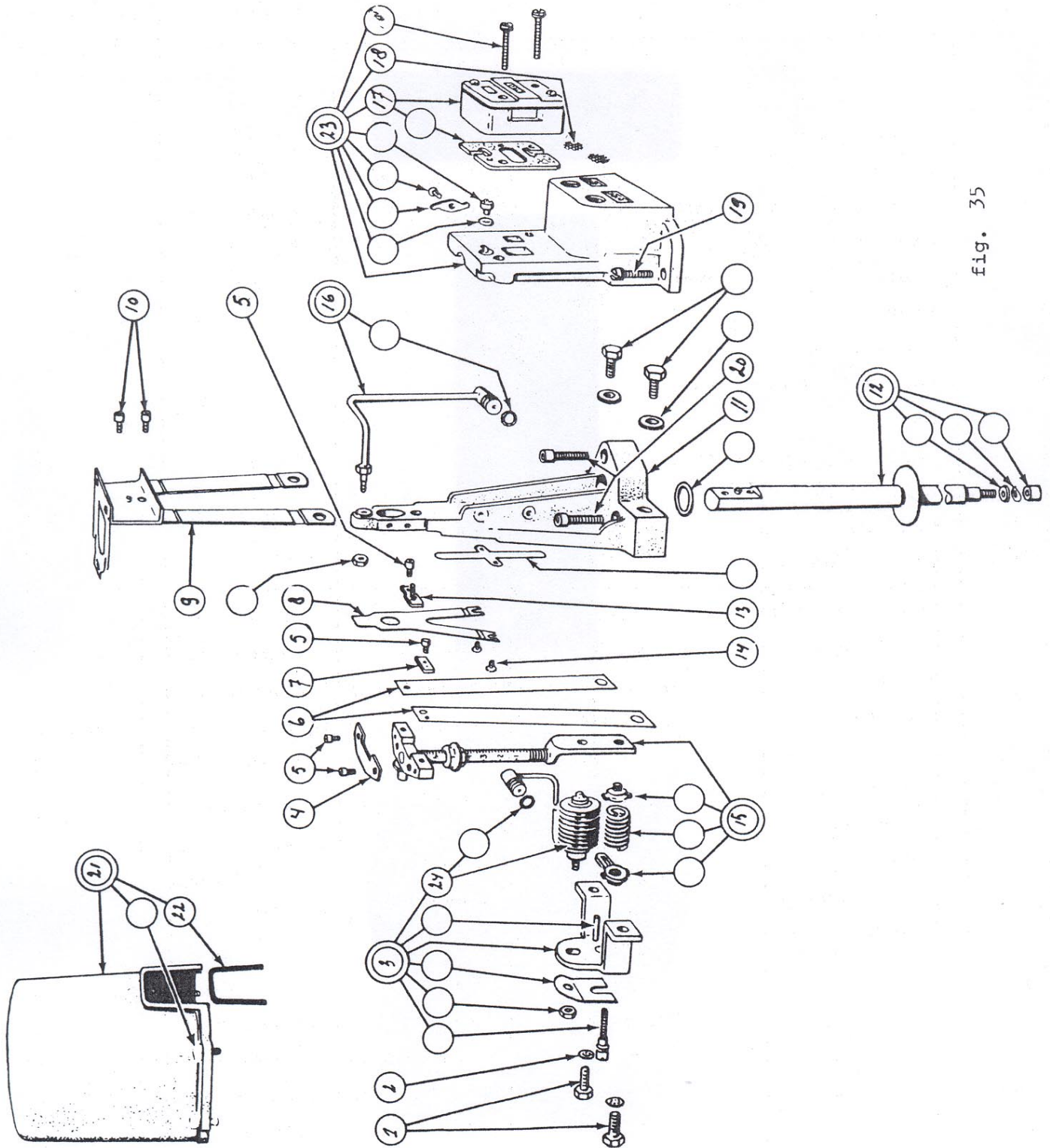


fig. 35

Ref. No. in fig 34	Parts name	Code	Quantity	Recom. spare part
1	Vent screws (316 ss)	71/26	2	
2	Vent plugs (316 ss)	36/39	2	
3	1/2-20 nuts (cad. pl. st.)	18/23/AC	4	
4	Cover (cad. pl. carbon. st.)	80-9/14	1	
5	Teflon gasket (316 ss)	SG74MC cd21/1	2	Yes
6 + 7	Capsules assembly (316 ss)	PR5/8/S	1	
8	Pipe plugs (cad. pl. st.)	71/25	4	
9	Gasket	21/48088	1	Yes
10	10-32x3/8FH Screws	42/100	2	
11	Plate	31/86	1	
12	Silicone el. O-ring	3-3/25	1	Yes
13	Cap screws (Zn. pl. steel)	42/122/AC	4	
14	Body (cad. pl. carbon. st.)	80-9/12	1	
15	Screen discs (316 ss)	74/5	2	Yes
16	Gaskets (ptfe)	21/53	2	Yes
17	Connection assembly	85/39	2	
18	Cap screws	42/124	4	
19	F.H. Screw	42/339/AC	1	

Ref. No. in fig 35	Parts name	Code	Quantity	Recom. spare part
1	Hex H. Screws	42/116	4	
2	Lockwashers	35/10503	2	
3	Bracket assembly	85/40	1	
4	Plate	31/99	1	
5	Socket H. Cap Screws	42/110	4	
6	Flextures	43/92	2	
7	Plate	PR5/6	1	
8	Flapper	43/94	1	
9	Flexature assembly	85/34	1	
10	Socket H. Cap Screws	42/112	2	
11	Base	85/31	1	
12	Force bar assembly (316 ss)	85/37	1	
13	Bracket assembly	PR5/6	1	
14	Fil. H. Screws	42/117	2	
15	Vernier range bar zero elevation + suppression device	5/5 + 47/5 + 47/6	1	
16	Nozzle assembly	A85/6	1	Yes
17	Relay	RE22	1	Yes
18	Screens	74/4	2	Yes
19	Fil. H. Screws	42/15998/x	2	
20	Cap Screws	42/15820/x	3	
21	Cover assembly	17/35	1	
22	Cover gasket	21/67	1	Yes
23	Relay support	39/49060	1	
24	Feed back bellows	A85/7	1	

Special items relating to the Pneumatic transmitter SG74

Parts name	Code	Quantity
Restrictor (Orifice) for Relay RE22	43/39127	1
O-ring for restrictor		1
Cleaning tool for Relay	43/87	1

### Disclaimer

The information in this document is intended, but not guaranteed, to be correct, complete and up-to-date. The information is provided without any warranty, either express or implied as to quality, accuracy or fitness for a particular purpose.

Mar-In Controls B.V. cannot be held liable for any direct, indirect or consequential loss arising from the use of (or the inability to use) this document or information contained in it or from any action or decision taken as a result thereof.